

## **SCHLAGE** CO 200 Standalone Electronic Locks

The CO Series is the ideal solution for customers seeking the added security and convenience of electronic access control without the cost or complexity of a fully networked system.

The CO 200 is computer programmable with user's rights stored on the lock. The Handheld Device (HHD) used in conjunction with your access control software, allows you to easily add or delete users and retrieve audits. By issuing electronic credentials you can minimise the number of mechanical keys issued which protects the integrity of your key system. A variety of credential readers are also available including: keypad only, magnetic stripe, and proximity.

The magnetic stripe and proximity readers are also available with keypad for the added security of dual authentication. Mechanical key override is standard and compatible with multiple cylinder types. The CO Series is also compatible with many popular brands and types of exit devices.



**Pictured: CO 200**



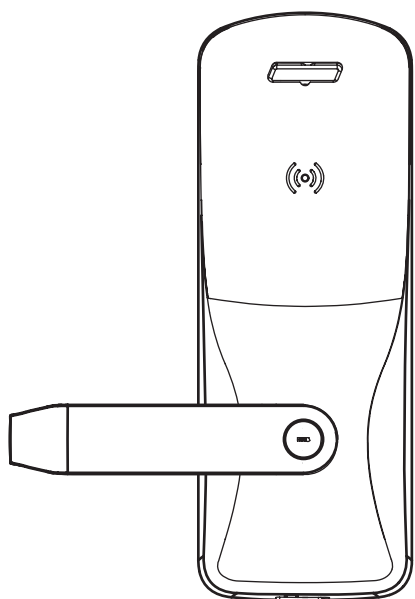
**Fire Rated**

### Performance Features

- Easy to install.
- Battery powered – requires 4 standard AA alkaline batteries (included).
- Schlage CO Series locks are available in cylindrical versions.
- Computer Programmable with audit trail.
- Up to 2000 users & up to 2000 audits.
- ANSI/BHMA Grade 1 certified and UL 294 listed.
- 12 button keypad.
- Up to 32 holidays & 16 time zones.
- User rights stored on the lock.
- Compatible with most major brands of key system and exit devices.
- The ability to add and delete users at the lock.
- Classroom/Storeroom, Office, and Privacy functions available.



# CO 200 Standalone Electronic Locks



## Specifications

<b>Users</b>	Up to 2000
<b>Audits</b>	Up to 2000
<b>Credential Verification Time (Keypad Only)</b>	≤ 1 second
<b>Visual/Audible Communications</b>	Tri-coloured LED's & audible indicators
<b>Power Supply</b>	4 AA batteries (standard off the shelf: included)
<b>Voltage Range</b>	4 VDC to 7 VDC
<b>Max Current Requirement</b>	Up to 250 mA
<b>Battery Life</b>	Up to 2 years with 4 AA batteries
<b>Operating Temperature - Exterior</b>	-35° to 66°C
<b>Operating Temperature - Interior</b>	0° to 49° C due to battery
<b>Operating Humidity</b>	0-100% condensing
<b>Certifications</b>	ANSI/BHMA A156.25 Grade 1, UL 294, UL 10C, FCC Part 15, ADA
<b>Handing</b>	Handed to Order, Field Reversible
<b>ANSI Standard</b>	Meets or exceeds A156.25 and A156.2 Series 4000, Grade 1 strength and operational requirements
<b>Door Thickness</b>	45mm standard, 35mm to 70mm optional (available in 3mm increments)
<b>Backset</b>	70mm standard, 60mm, 95mm and 127mm optional
<b>Latch Bolt</b>	13mm throw security latch standard 19mm throw optional
<b>Lever</b>	Pressure cast zinc, plated to match finish symbols
<b>Strike</b>	ANSI curved lip strike 32mm x 124mm x 30mm ip to centre standard, optional strikes, lip lengths and ANSI strike box available
<b>Warranty</b>	1 Year

## Dimensions

